

Published: 16-Apr-2018

2017.0 XE (X760), 417-01

## Exterior Lighting

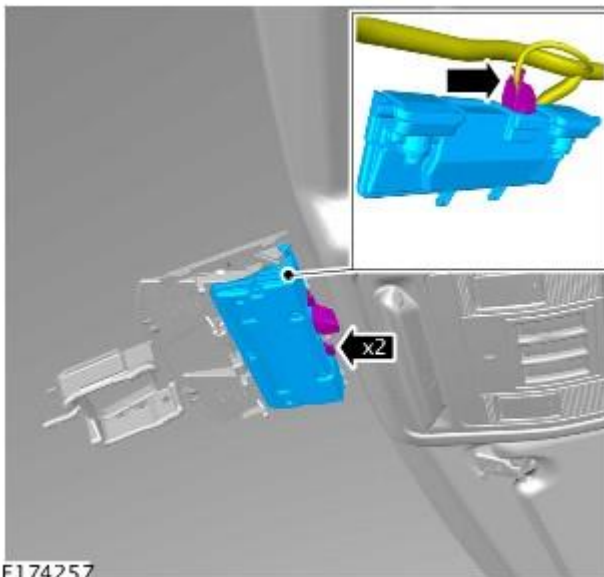
# High Mounted Stoplamp (G1822781)

### REMOVAL AND INSTALLATION

- 86.41.01
- High Level Stop Lamp Assembly - Renew
- All Derivatives
- 2.10
- USED WITHINS
- 

#### Removal

1. Refer to: [Rain Sensor](#) (501-16 Wipers and Washers, Removal and Installation).



- 2.
3. NOTE:

Repeat the step for the other side.

Refer to: [A-Pillar Trim Panel](#) (501-05 Interior Trim and Ornamentation, Removal and Installation).

4. NOTE:

Repeat the step for the other side.

Refer to: [B-Pillar Upper Trim Panel](#) (501-05 Interior Trim and Ornamentation, Removal and Installation).

5. NOTE:

Repeat the step for the other side.

Refer to: [C-Pillar Trim Panel](#) (501-05 Interior Trim and Ornamentation, Removal and Installation).

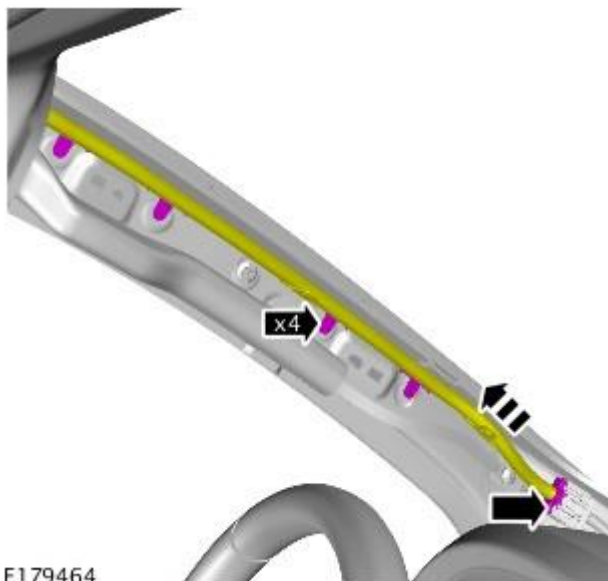
6. NOTE:

Repeat the step for the other side.

Refer to: [Sun Visor](#) (501-05 Interior Trim and Ornamentation, Removal and Installation).

7. NOTE:

Repeat the step for the other side.

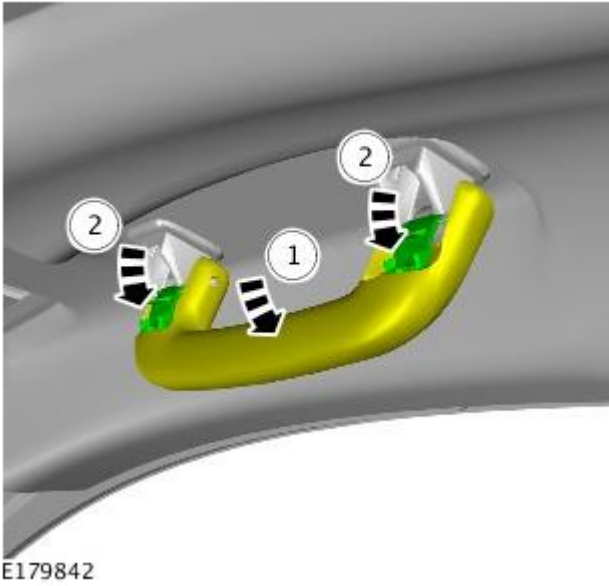


8. CAUTION:

Use a suitable trim tool.

NOTE:

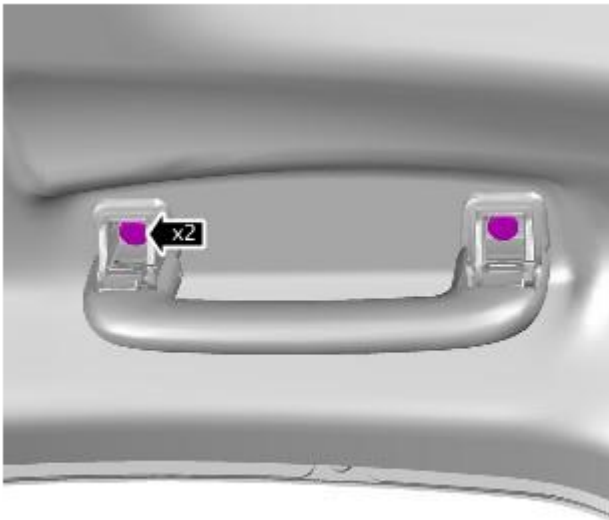
Carry out this step for all 4 components.



*Torque: 2 Nm*

9. NOTES:

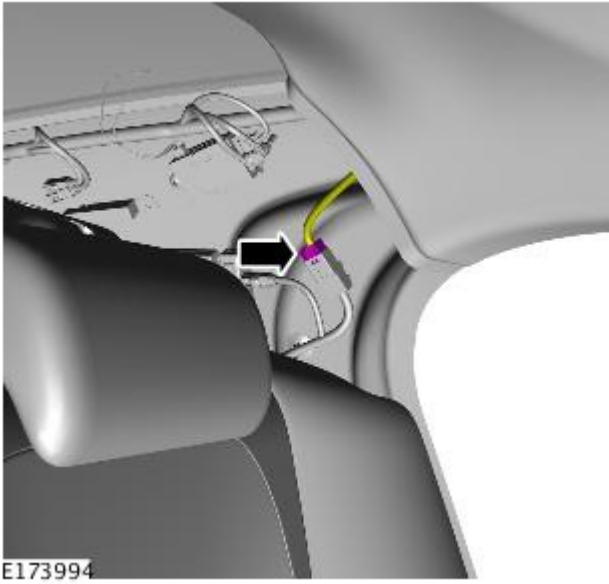
- Make sure that the component is installed to the position noted on removal.
- Carry out this step for all 4 components.



*Torque: 2 Nm*

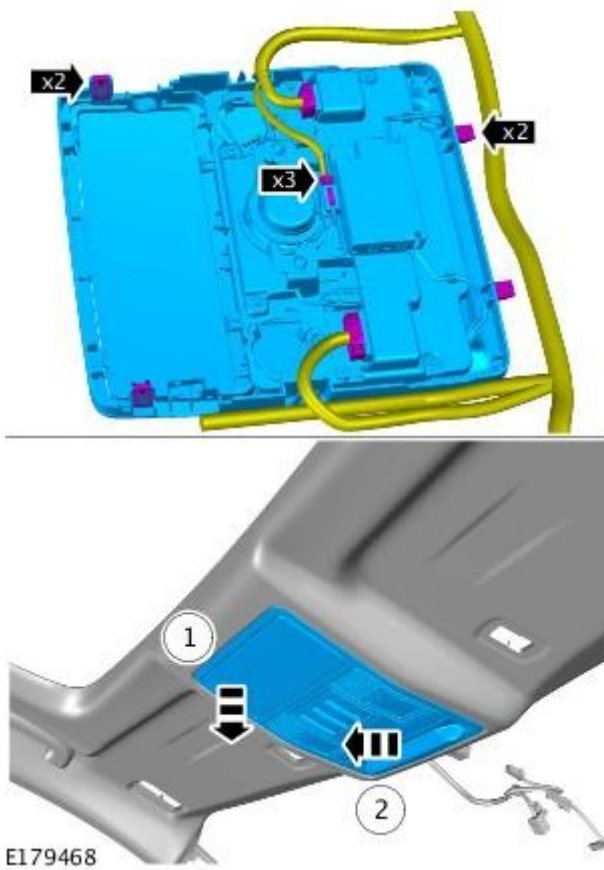
10. NOTE:

Repeat the step for the other side.



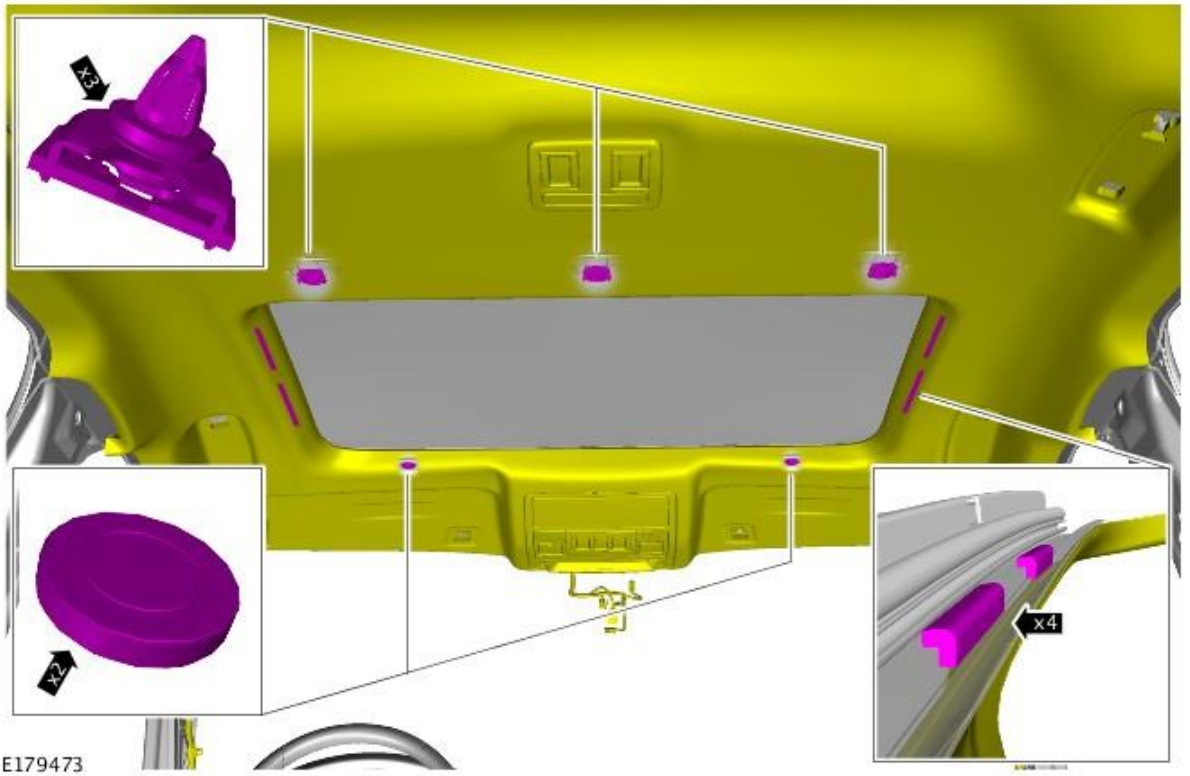
11. CAUTION:

Use a suitable trim tool.



12. CAUTION:

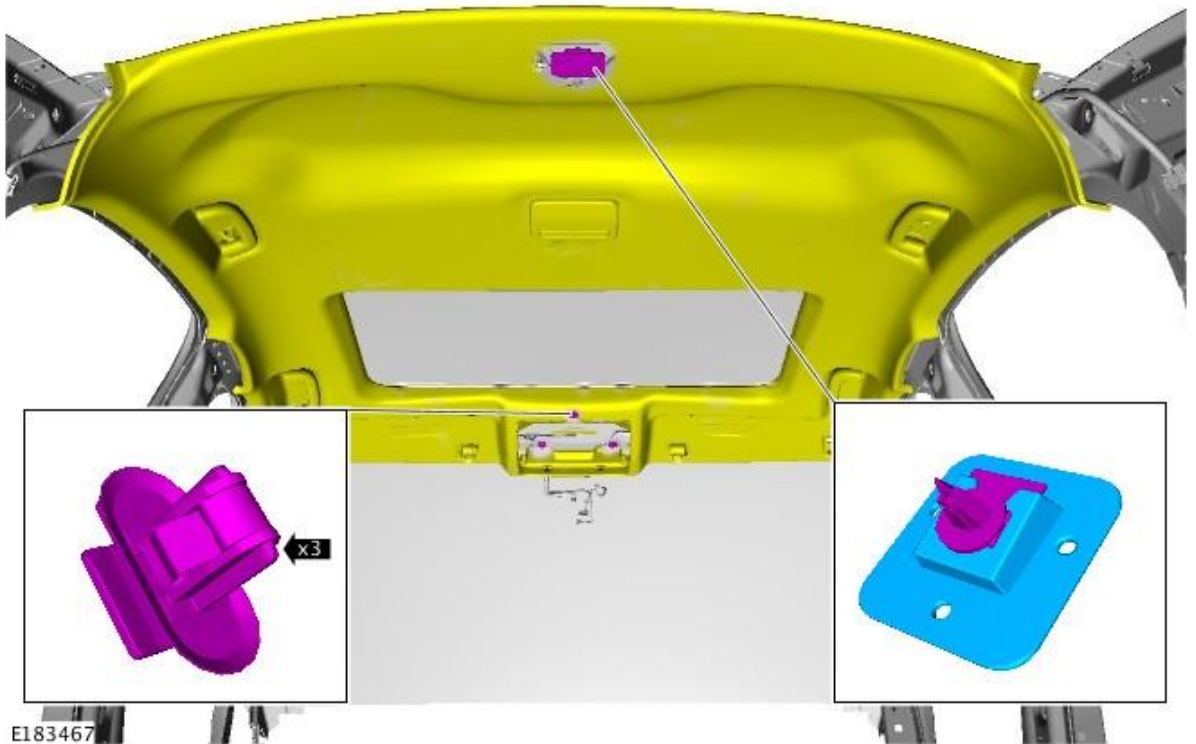
Extra care must be taken at this point, as the headliner is still retained by a locating clip at the rear and the 3 retaining clips at the front.



E179473

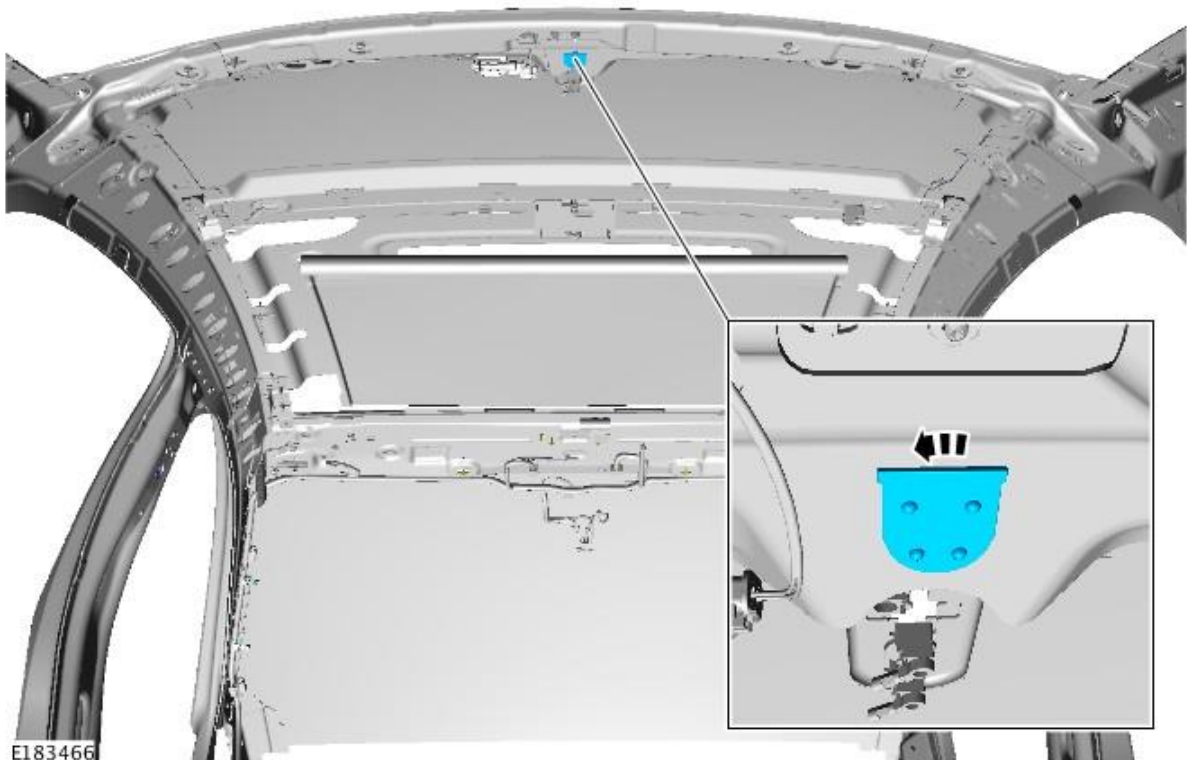
13. NOTE:

Note the installed position of the component(s) prior to removal.

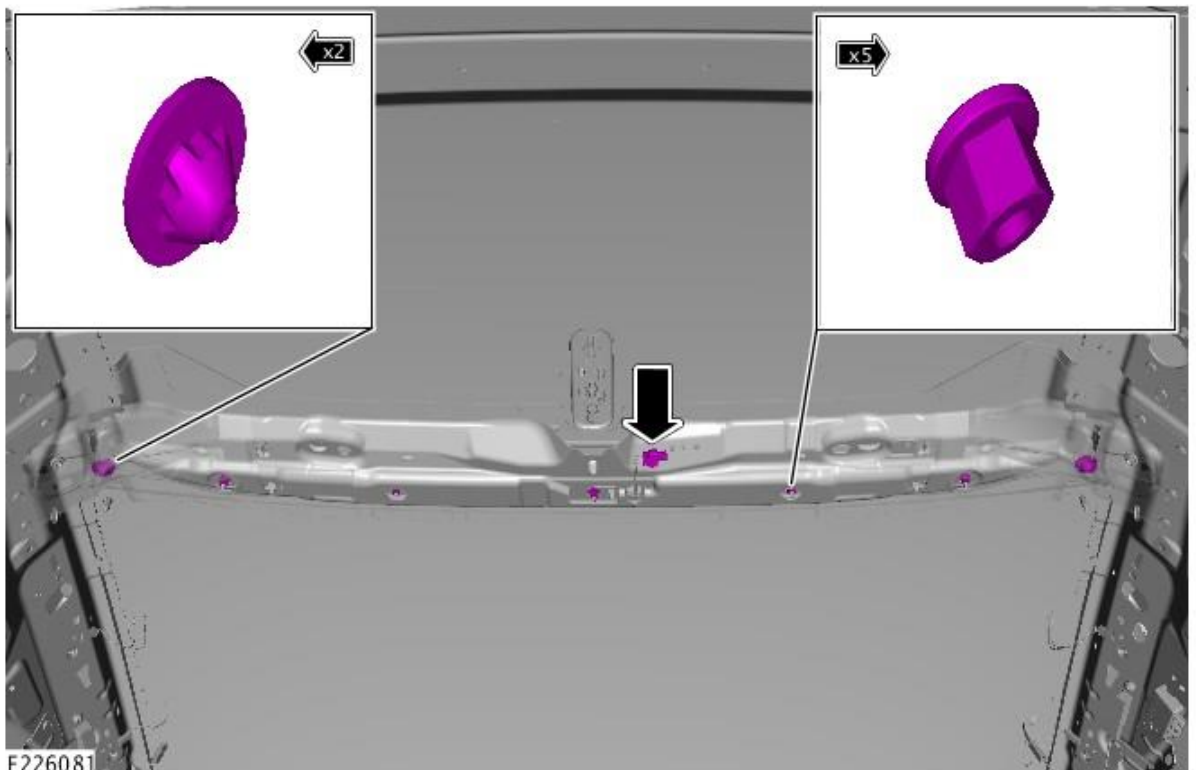


E183467

Release the headliner from the 3 front retaining clips and slide forwards to detach from the rear locating clip.



14.

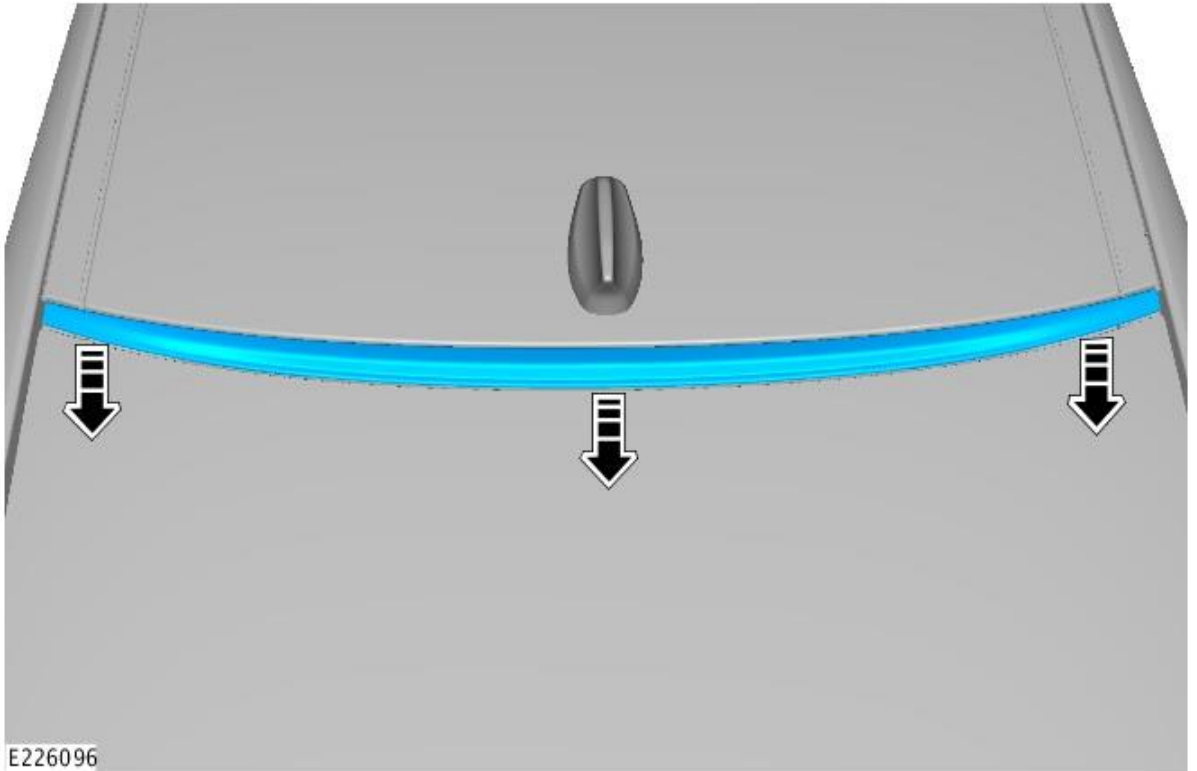


15.

- Remove the 5 retaining nuts.

*Torque: 2 Nm*

- Release the 2 grommets shown in the illustration.
- Disconnect the electrical connector.

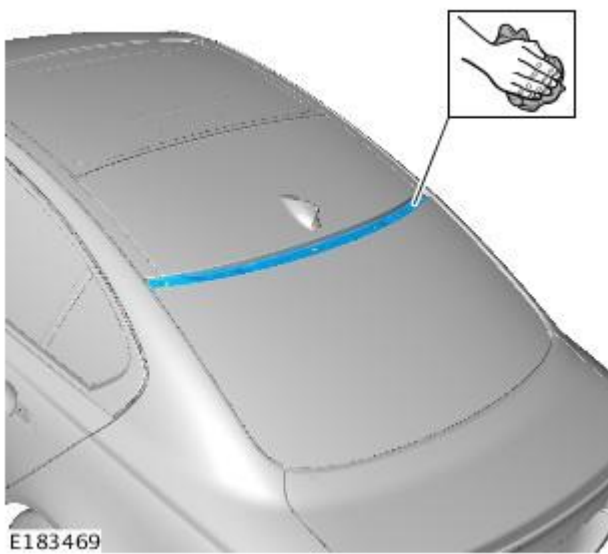


16.

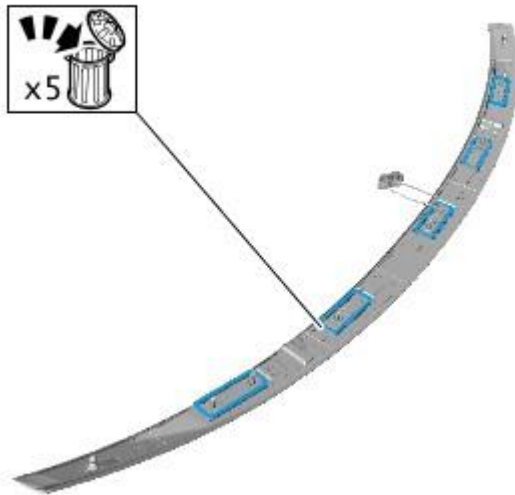
Remove the high mounted stop lamp.

17. CAUTION:

Using a suitable spirit wipe clean the component surfaces.



Installation



1. E183468

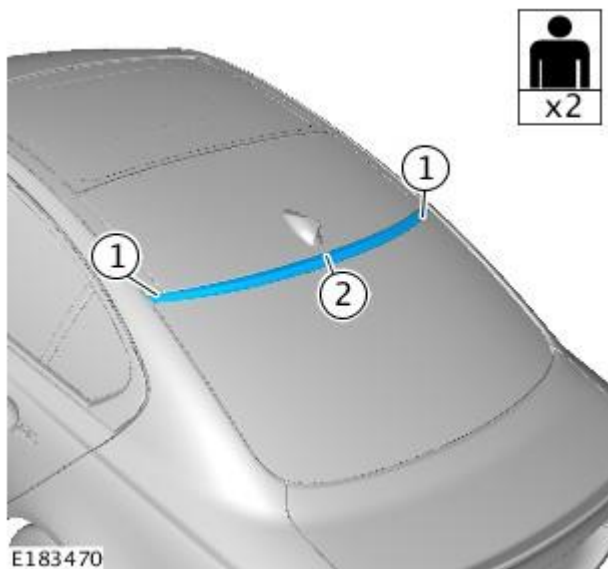
Remove backing tape from adhesive strip.

2. CAUTIONS:

- Make sure the outer retaining clips are installed before installing the retaining nuts.
- Make sure the component is held in position when the fixings are installed, failure to follow this instruction may damage the component.
- Do not over tighten the retaining screws.

NOTE:

This step requires the aid of another technician.



3. To install, reverse the removal procedure.



